

# DC FAN

## E15050DC Series

SIZE: 150 X 50 mm



### INFORMATION

Material:

Frame Plastic (UL94V-0) ; Impeller: Plastic (UL94V-0)

Lead Wire: UL type or Equivalent (+) Red, (-) Black

Operating Temperature Range: -10°C~70°C

Storage Temperature Range: -40°C~70°C

Bearing type: Ball type / Sleeve Type

Motor protection: RP & LP & SS & CL

Signal out put: FG / RD / PWM

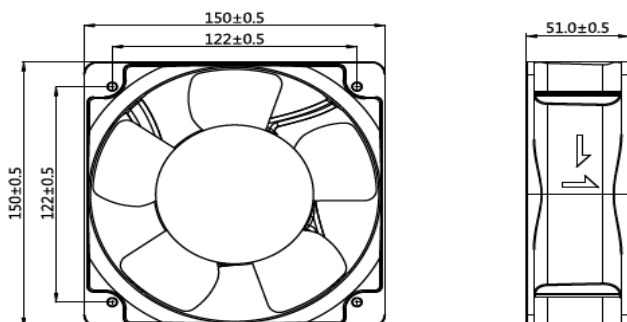
Weight: 700 g



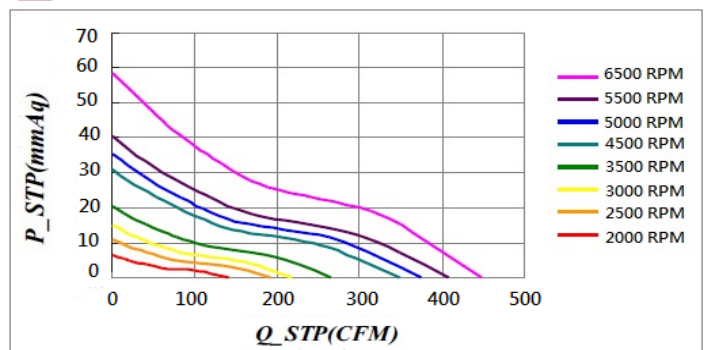
### SPECIFICATION

MODEL NO.	RATED VDC	OPERATED VOLTAGE (VDC)	SPEED (RPM)	RATED CURRENT (A)	INPUT POWER (W)	Max. Air Flow		Max. Static Pressure		Noise Level (dB)
						m <sup>3</sup> /min	CFM	mm-H <sub>2</sub> O	inch-H <sub>2</sub> O	
E15050DC12EH	12	8.0~13.5	5500	6.3	75.6	11.6	408.5	40.44	1.59	73.5
E15050DC12UH	12	8.0~13.5	5000	5	60	10.66	375.4	35.4	1.39	71.2
E15050DC12VH	12	8.0~13.5	4500	3.75	45	9.89	348.2	30.87	1.22	69.4
E15050DC12SH	12	8.0~13.5	3500	2	24	7.53	265.1	20.41	0.8	62.8
E15050DC12H	12	8.0~13.5	3000	1.5	18	6.16	216.9	14.98	0.59	57.3
E15050DC12M	12	8.0~13.5	2500	0.84	10.08	5.43	191.3	10.85	0.43	52.1
E15050DC12L	12	8.0~13.5	2000	0.43	5.16	4.02	141.5	6.46	0.25	44.8
E15050DC24GH	24	18.0~26.5	6500	5.32	127.8	12.73	448.20	58.6	2.31	84.1
E15050DC24EH	24	18.0~26.5	5500	3.1	74.4	11.6	408.5	40.44	1.59	73.5
E15050DC24UH	24	18.0~26.5	5000	2.48	59.52	10.66	375.4	35.4	1.39	71.2
E15050DC24VH	24	18.0~26.5	4500	1.85	44.4	9.89	348.2	30.87	1.22	69.4
E15050DC24SH	24	18.0~26.5	3500	0.9	21.6	7.53	265.1	20.41	0.8	62.8
E15050DC24H	24	18.0~26.5	3000	0.56	13.44	6.16	216.9	14.98	0.59	57.3
E15050DC24M	24	18.0~26.5	2500	0.34	8.16	5.43	191.3	10.85	0.43	52.1
E15050DC24L	24	18.0~26.5	2000	0.21	5.04	4.02	141.5	6.46	0.25	44.8
E15050DC48GH	48	36.0~54	6500	2.62	125.6	12.73	448.20	58.6	2.31	84.1
E15050DC48EH	48	36.0~54	5500	1.56	74.88	11.6	408.5	40.44	1.59	73.5
E15050DC48UH	48	36.0~54	5000	1.25	60	10.66	375.4	35.4	1.39	71.2
E15050DC48VH	48	36.0~54	4500	0.95	45.6	9.89	348.2	30.87	1.22	69.4
E15050DC48SH	48	36.0~54	3500	0.54	25.92	7.53	265.1	20.41	0.8	62.8
E15050DC48H	48	36.0~54	3000	0.32	15.36	6.16	216.9	14.98	0.59	57.3
E15050DC48M	48	36.0~54	2500	0.2	9.6	5.43	191.3	10.85	0.43	52.1
E15050DC48L	48	36.0~54	2000	0.13	6.24	4.02	141.5	6.46	0.25	44.8

### Dimensions (Unit:mm)



### PQ Curve



Note: Specifications are subject change without notice.