

DC BLOWER 40x40x8MM

General Specifications

Material..... Frame: Plastic (UL94V-0)
 Impeller: Plastic (UL94V-0)
 Lead Wire: UL type or Equivalent (+) Red, (-) Black
 Insulation Resistance... 10 MΩ Or Over With a DC250V Megger
 Temperature Range....Operating temperature -10°C~70°C (Non-condensing)
 Storage temperature -40°C~70°C (Non-condensing)

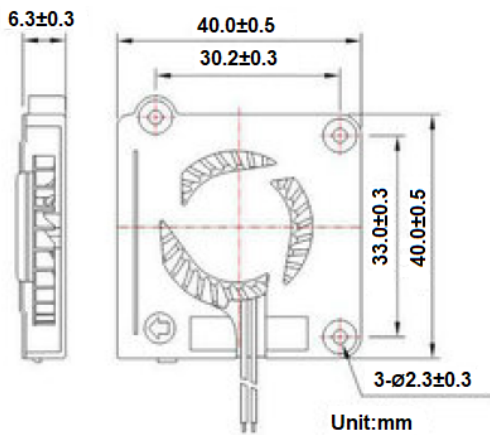


Specifications

Model	#Bearing Type	Rated Voltage	Operating Voltage	Input Current	Speed	Air Flow	Static Pressure	Noise	Weight
Part No.	HD	VDC	VDC	Amp	RPM	CFM	mm-H ₂ O	dB-A	g
E4008DBS5H	HD	5	4.5~5.5	0.20	6500	0.97	4.92	33.3	15.0
E4008DBS5M	HD	5	4.5~5.5	0.15	5500	0.81	3.53	29.7	15.0
E4008DBS5L	HD	5	4.5~5.5	0.10	4500	0.67	2.36	25.4	15.0

*HD=Hydraulic Bearing

Dimensions (Unit:mm)



PQ Curve (At rated Voltage)

