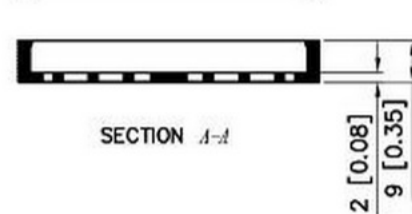
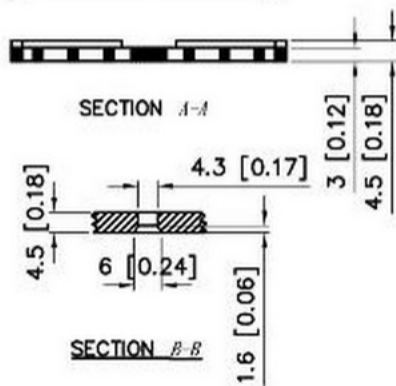
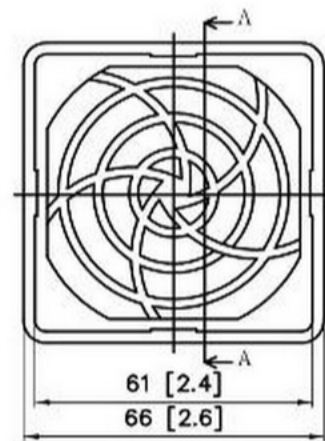
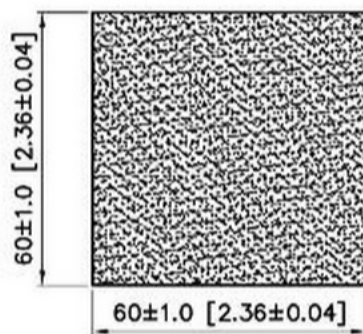
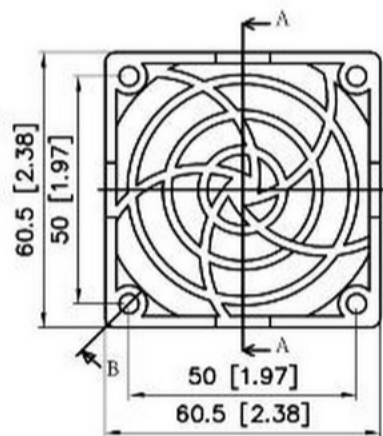


# E60FP3



UNIT: mm[inch]