



Ø250mm

EAF25094 SERIES

94mm thick

General Specifications

Material	Plastic Impeller
Bearings	Maintenance-Free Ball Bearings
Motor Type	AC Induction Capacitor
Connection	Lead wire
Dielectric Strength	1800 VAC for 1 Sec.
Insulation Resistance	100 MΩ min.@500VDC
Operating Temperature	-20°C to +70°C
Type of Protection	Insulation Class F
Safety	Thermally Protected (Auto Restart)



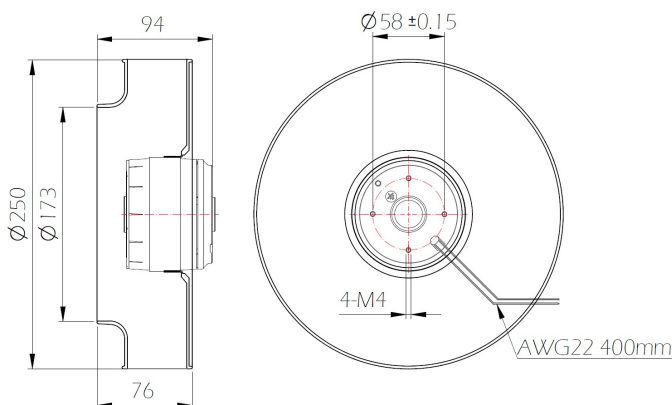
- Plastic Impeller
- Weight : 2090 g
- Rohs Compliance

Ø250 x 94 mm (High Speed)

Specifications

Model No.	Voltage VAC	Freq Hz	Current A	Power W	Speed rpm	Pressure mmAq	Air Flow CFM	Noise dB	TUV	UL	CE
EAF25094V115HB	115	50/60	0.90/1.23	103/142	2600/2800	53/67	570/610	77.5/79	√	√	√
EAF25094V230HB	230		0.48/0.66	106/148							

Dimensions (Unit : mm)



Air Flow and Static Pressure

