

# AC FAN

SIZE:205X205X72mm (8.07")



## E20572AC Series

### INFORMATION

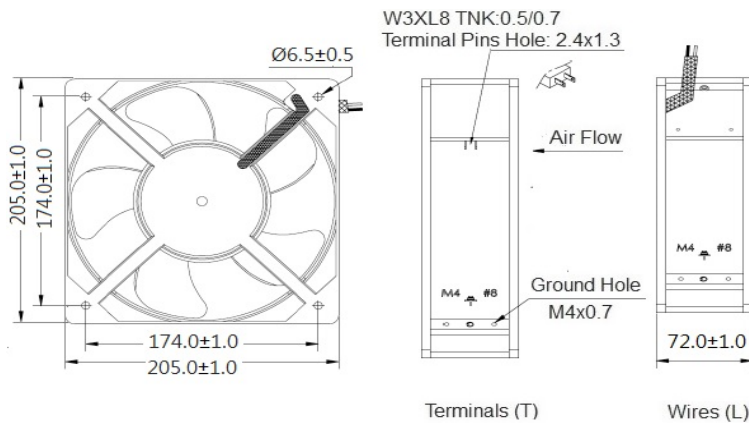
MOTOR:	Capacitor Motor & Thermally protected
HOUSING:	Die-cast aluminum, Painted black (AP) or plated (AN)
IMPELLER:	Glass reinforced thermoplastic, UL 94V-0
BEARING:	Two-ball or sleeve available
TERMINATION:	T-Terminal type or W-Lead wire type
OPERATING	Ball type -20°C~+70°C; Sleeve type -10°C~+55°C
OPERATING VOLTAGE	103 VAC to 126 VAC for 115V Type
RANGE :	207 VAS to 253 VAC for 230V Type
DIELECTRIC STRENGTH:	1 min. at 1,500VAC, 50/60Hz
INSULATION RESISTANCE:	10M Ω min. @500 VDC
LIFE EXPECTANCY:	Ball bearing 60,000 hours at 60°C; Sleeve bearing 20,000 hours at 45°C
WEIGHT:	2.100 gm(4.6 pound)



### SPECIFICATION

MODEL NO.	RATED VAC	FREQ. (Hz)	SPEED (RPM)	RATED CURRENT (A)	INPUT POWER (W)	Max. Air Flow		Max. Static Pressure		Noise Level (dB)
						m <sup>3</sup> /min	CFM	mm-H <sub>2</sub> O	inch-H <sub>2</sub> O	
E20572AC115H	115	50/60	2850/3250	0.60/1.00	65/102	17.5/20.1	620/710	26.4/17.4	1.04/0.69	67/71
E20572AC230H	230	50/60	2850/3250	0.30/0.49	65/102	17.5/20.1	620/710	26.4/17.4	1.04/0.69	68/71

#### Dimensions (Unit:mm)



#### PQ CURVE

